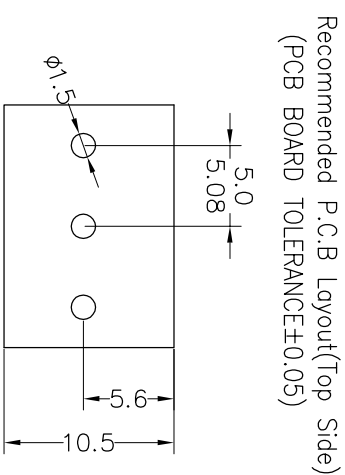
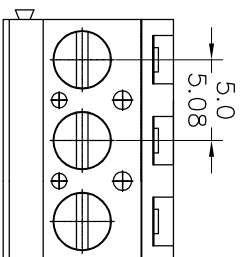


SPECIFICATIONS

Rated(额定参数): 300V,20A
 Dielectric strength(抗电强度): AC2000V/1 Minute
 Insulation Resistance(绝缘电阻):1000MΩ Min
 Contact Resistance(接触电阻):20mΩ Max
 Screw Torque(扭矩): 0.5Nm (4.4lb.in)
 Wire Range(线径):1.2~2.4AWG
 Strip length(剥线长度):6~7mm
 Temp. range(操作温度):-40℃~+105℃
 MAX Soldering(瞬时温度):+250℃,5s



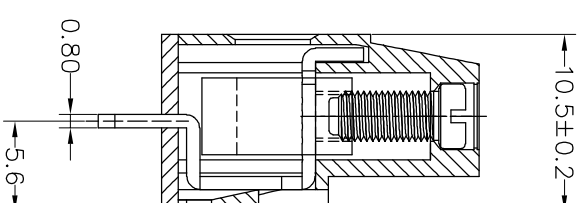
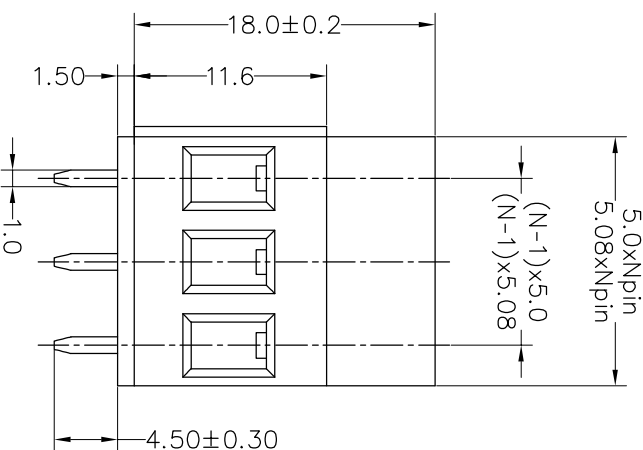
Housing Material(塑件): PA66 (UL94 V-0)
 Contact(端子): Brass, Tin plating(黄铜镀锡)
 Clamp(方块): Brass/Steel(铜/铁), Ni plating(镍)
 Screw (螺丝): M3.0, Steel, Zinc plating(钢,镀锌)

	PITCH RANGE		NOMINAL DIMENSION RANGE			
	IN MM		IN MM			
TO 6	OVER 10	TO 10	OVER 30	TO 60	OVER 100	TO 150
TO 10	OVER 10	TO 24	OVER 30	TO 60	OVER 100	TO 150
TO 10	OVER 10	TO 24	OVER 30	TO 60	OVER 100	TO 150
±0.10	±0.15	±0.25	±0.30	±0.30	±0.50	±0.70
						±1.00

Ordering Information

JL 129C-XXX XX X X 1

Pitch
 500=5.0PH
 508=5.08PH
 No.of pins
 2P,3P,4P~24P
 Housing Color
 B=Black
 G=Green
 U=Blue
 R=Red
 W=White
 Y=Yellow
 O=Orange
 E=Grey
 Packing
 O=Pe bag
 T=Tube
 A=Troy



REV	DATE	MODIFICATION DESCRIPTION	CHANGE	OPERATION		DRAW	yiyusheng	19.01.16	SCALE	FIT	PART NO.	TITLE:
				DIM	TOL							
A0	2019.01.16	NEW DRAWING		XX	±0.30	CHECK			mm	A4	JL 129C-XXXXXXXX1	PCB UNIVERSAL SCREW TERMINAL BLOCKS
				X.XX	±0.20							
				X:XXX	±0.10					1/1		
				Angle	±3°	APPROVE						
1												

JILIN 深圳市锦凌电子有限公司
 SHENZHEN JINLING ELECTRONIC CO.,LTD
 Tel: 86-755-2997-5806/5802 Fax: 86-755-2997-5992